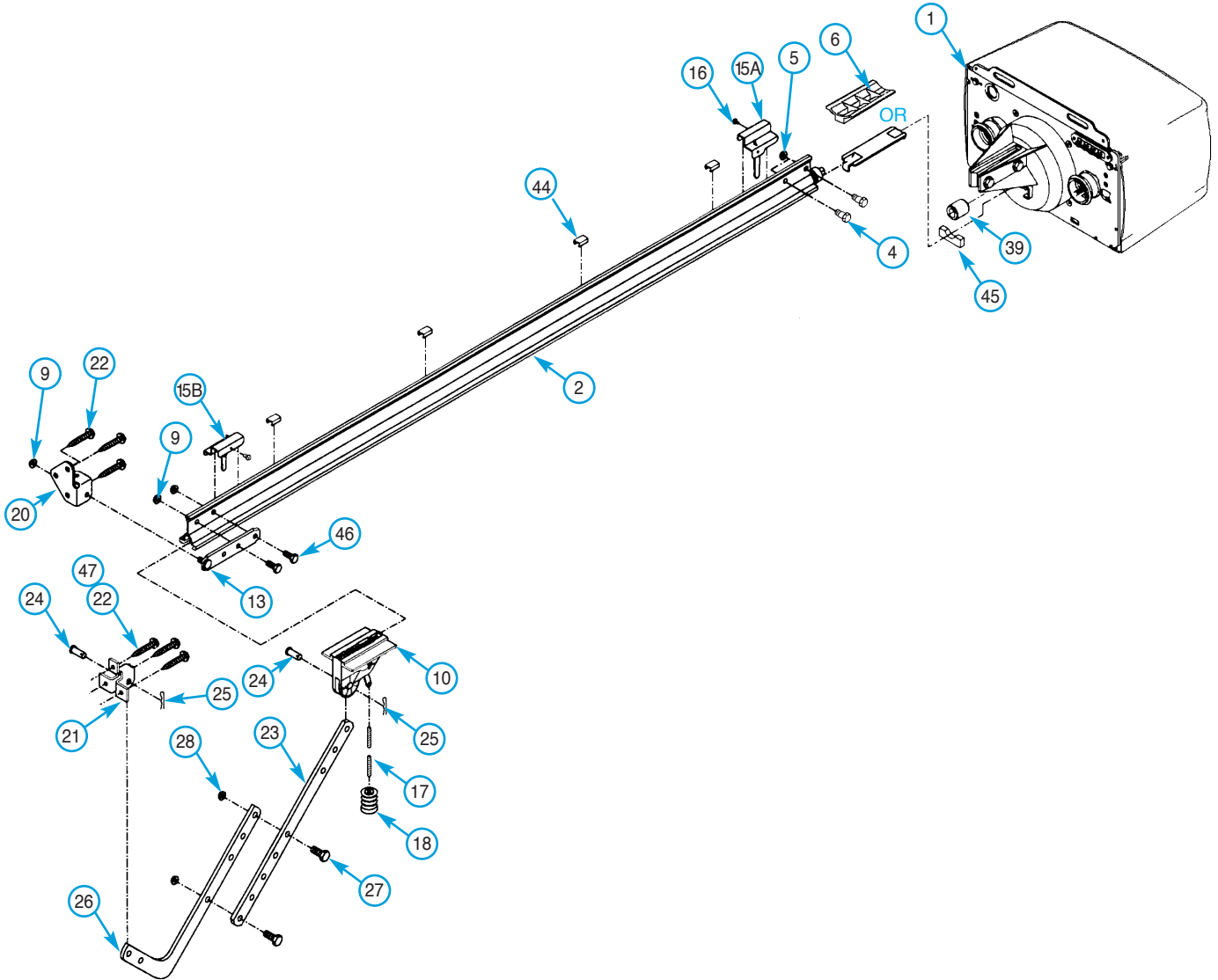


[2] 1-Piece Rail & Screw Assembly

6

**NOTE:** The operator will not function properly unless the **Safe-T-Beam®** sensors are installed and the **force controls** adjusted.



**PARTS LIST**

Item	Part Name	Parts Required	
		1 Piece	3-Piece
1	Power Head Assembly (See page 5)	1	1
2	Rail Assembly (1 piece)	1	
3	Rail Assembly (3 piece)		1
3A	First Rail Section		1
3B	Middle Rail Section		1
3C	End Rail Section		1
4	1/4-20 Hex Hd Shoulder Bolt	2	2
5	1/4"-20 Hex Flange Nut	2	2
6	Carriage Stop	1	1
7	Rail Clamps		4
8	5/16" Hex Shoulder Bolt		8
9	5/16" Hex Flange Nut	5	13
10	Carriage Assembly	1	1
11	Collar		2
12	Retaining Clip		2
13	Rail Strap	1	1
15A	Open Limit Switch Assembly (Grey)	1	1

**PARTS LIST**

Item	Part Name	Parts Required	
		1 Piece	3-Piece
15B	Close Limit Switch Assembly (Brown)	1	1
16	No. 8-32 x 3/8" Hex Head Screw	2	2
17	Emergency Release Cord	1	1
18	Emergency Release Knob	1	1
19	Emergency Release Tag	1	1
20	Header Bracket	1	1
21	Door Bracket	1	1
22	1/4" x 2" Lag Screw	8	8
23	Straight Door Arm	1	1
24	Clevis Pin	2	2
25	Cotter Pin	2	2
26	Curved Door Arm	1	1
27	3/8" x 7/8" Hex Head Bolt	2	2
28	3/8" Hex Flange Nut	2	2
29	Wire	≈95ft	≈95ft
30	Insulated Staple	≈30	≈30
31	Wall Button	varies	varies